

VISUAL PERFORMANCE[®] SERIES

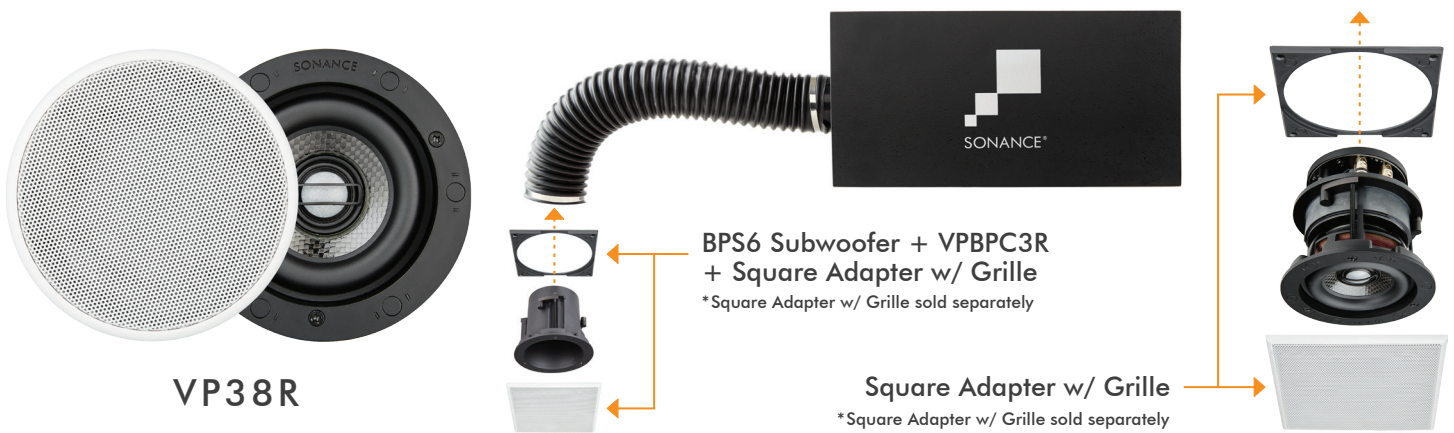
DISCREET OPENING SYSTEM



Award Winning Aesthetic and Best-in-Class Sonic Performance

Sonance is pleased to introduce The **Discreet Opening System** for Visual Performance Series. VP **DOS** utilizes the same unique satellite & subwoofer system concept & state of the art materials that earned Architectural Series **DOS** the prestigious Best New Product award by CEDIA. **Discreet Opening System** envelops a space with amazing sound & perfectly even coverage

delivering superior performance to traditional speakers. Featuring a micro-trim bezel, it matches the footprint of small downlights. **Discreet Opening System** delivers the ultimate combination of amazing sonic performance & coverage with minimal visual impact for **The Optimal Approach** to distributed audio.



Features and Benefits

Absolute best sonic performance

- Designed using state-of-the-art computer modeling software to vastly improve magnetic field and suspension linearity for consistent sonic performance at any SPL for best-in-class performance

Latest high-tech driver and tweeter material technology

- Improved low frequency performance
- Improved driver cone materials
- Low diffraction woofer and tweeter design
- Chambered tweeter design

Easy to install

- Easy to install in drywall or wood with a 4" hole saw
- One-piece paintable grille with peel and stick scrim cloth for easier painting
- Two piece toggle feet allows installation with double dry wall, tongue and groove and thicker materials

Square adapter w/ grille can turn any round speaker into a square speaker

- Allows easy alignment of the square grille with other ceiling features



Typical System - 4 VP38R + 1 or 2 BPS6

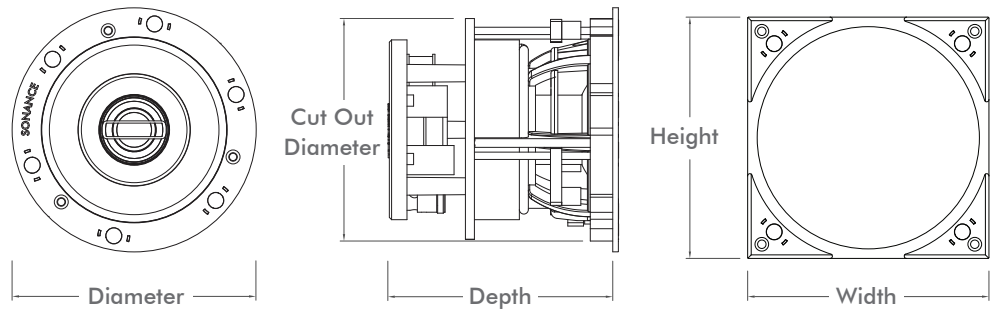
Specifications

VP38R Speaker

Diameter: 4 5/16" (109mm)
 Cut Out Diameter: 3 15/16" (99mm)
 Depth: 3 15/16" (99mm)

With Square Adapter and Grille

Width: 4 29/32" (124mm)
 Height: 4 29/32" (124mm)



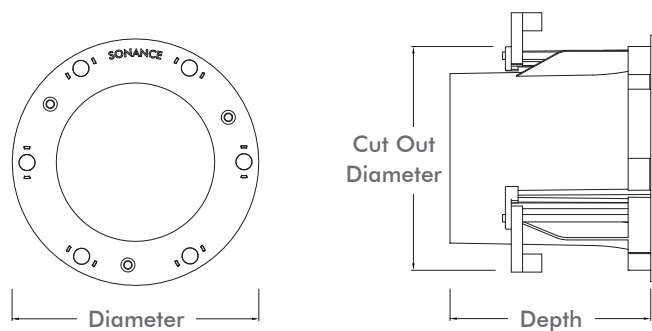
*Round grille included with VP38R.
 Square grille sold separately.

*4" hole saw recommended for cut out.

VPBPC3R

Diameter: 4 5/16" (109mm)
 Cut Out Diameter: 3 15/16" (99mm)
 Depth: 3 1/2" (89mm)

*4" hole saw recommended for cut out.



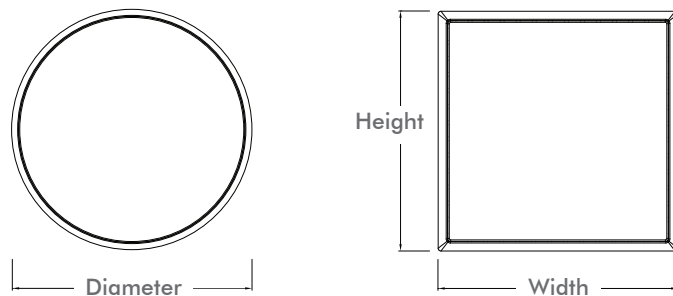
VP38R Round Grille

Diameter: 4 29/32" (124mm)

VP3SQ Kit Square Grille

Width x Height: 4 29/32" x 4 29/32"
 (124mm x 124mm)

*Round grille included with VP38R & VPBPC3R.
 Square grille and adaptor sold separately.

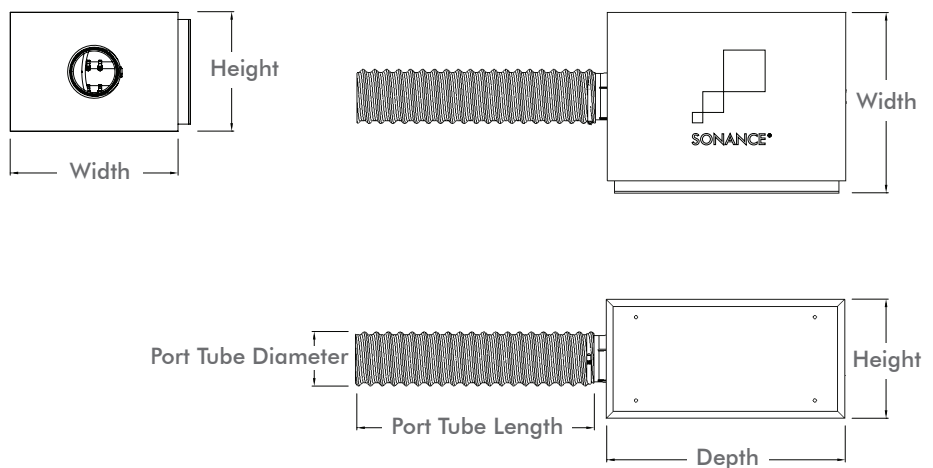


BPS6 Subwoofer

Height: 7 7/8" (200mm)
 Width: 11 15/16" (303mm)
 Depth: 15 3/4" (400mm)

BPS6 Port Tube

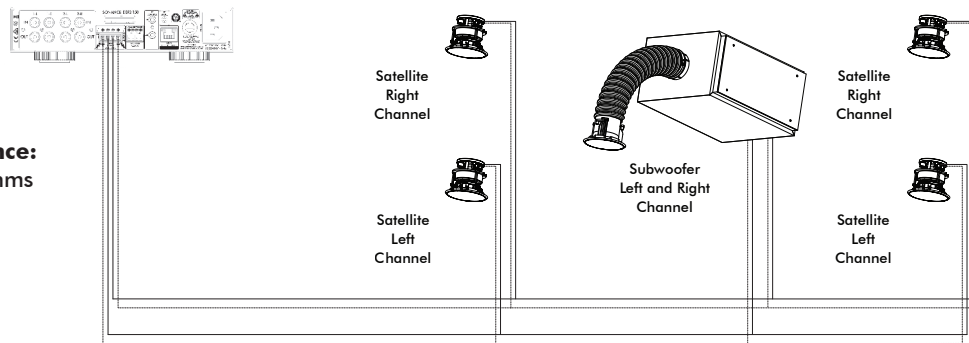
Diameter: 3" (76mm)
 Length: 22" (559mm)



Discreet Opening System Wiring Option 4.1

**VP DOS System Wiring Diagram - 2 Channel Amplifier
4 VP38R Satellite Speakers, 1 BPS6 Subwoofer**

VP38R System Impedance:
6 ohms nominal and 4 ohms
minimum per channel

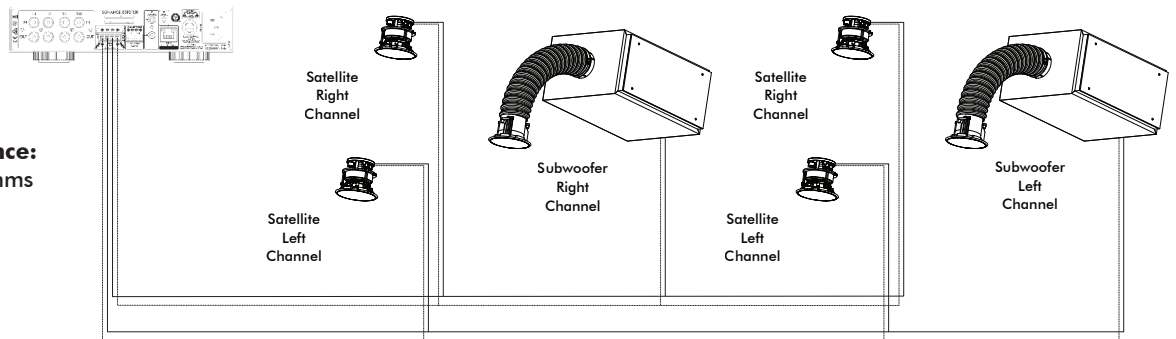


Home Run Wire To Each Speaker!

Discreet Opening System Wiring Option 4.2

**VP DOS System Wiring Diagram - 2 Channel Amplifier
4 VP38R Satellite Speakers, 2 BPS6 Subwoofers**

VP38R System Impedance:
8 ohms nominal and 6 ohms
minimum per channel



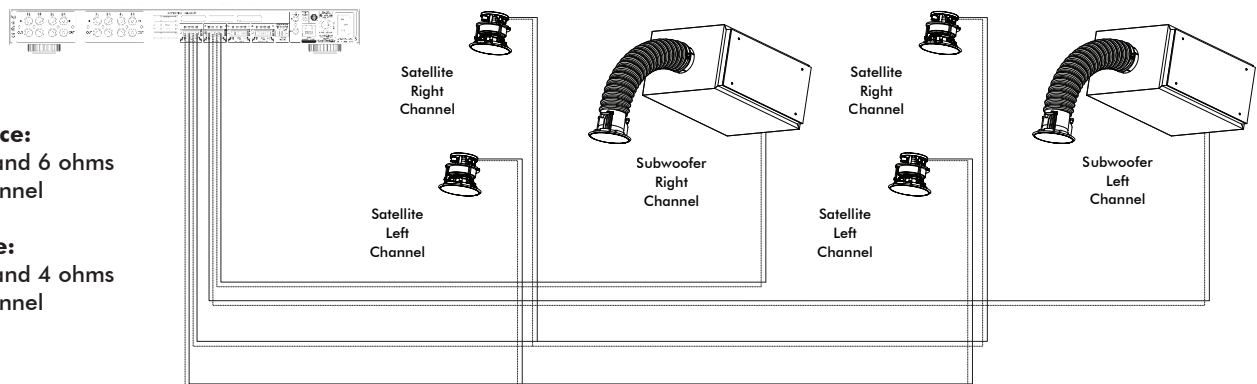
**Wire subwoofer voice coils in series. Home Run Wire To Each Speaker!*

Discreet Opening System Wiring Option 4.2 with Subwoofers on Separate Channels

**VP DOS System Wiring Diagram - 8 Channel Amplifier
4 VP38R Satellite Speakers, 2 BPS6 Subwoofers**

VP38R Impedance:
8 ohms nominal and 6 ohms
minimum per channel

BPS6 Impedance:
6 ohms nominal and 4 ohms
minimum per channel



**Wire subwoofer voice coils in series. Home Run Wire To Each Speaker!*



SPECIFICATIONS

VP38R

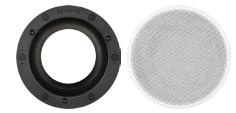
SKU	93117
UOM	Each
Tweeter	3/4" (19mm) ceramic dome, Ferrofluid-cooled, in acoustic back chamber
Woofer	3 1/2" (89mm) carbon fiber / Rohacell laminated cone with a rubber surround
Frequency Response	75Hz – 20kHz ± 3dB
Impedance	10 ohms nominal; 8 ohms minimum
Power Handling	100 watts maximum
Sensitivity	83dB SPL (2.83V/1 meter)
High Pass Filter	125Hz 6dB per Octave
Grille	Shipped w/ Round perforated steel grille
Dimensions (Dia. x D)	4 5/16" x 3 15/16" (109mm x 99mm)
Mounting Depth	3 15/16" (99mm)
Shipping Weight	3.1 lbs (1.4kg) each



SPECIFICATIONS

BPS6

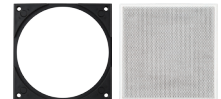
SKU	93043
UOM	Each
Woofer	6 1/2" (165mm) dual voice coil, carbon fiber / Rohacell laminated cone with a rubber surround
Frequency Response	40Hz – 125Hz ± 3dB
Impedance	6 ohms nominal; 4 ohms minimum
Power Handling	100 watts maximum
Sensitivity	87dB SPL (2.83V/1 meter)
Dimensions Sub (H x W x D)	7 7/8" x 11 15/16" x 15 3/4" (200mm x 303mm x 400mm)
Dimensions Port Tube (Dia. x Length)	3" x 22" (76mm x 559mm)
Shipping Weight	29 lbs (13.5kg) each



SPECIFICATIONS

VPBPC3R

SKU	93118
UOM	Each
Grille	Shipped w/ Round perforated steel grille
Dimensions w/ Round Grille (Dia.)	4 29/32" (124mm)
Mounting Depth	3 1/2" (89mm)
Shipping Weight	.8 lbs (.4kg) each



SPECIFICATIONS

VP3SQ

SKU	93120
UOM	Each
Grille	Shipped w/ Square perforated steel grille
Dimensions w/ Square Grille (WxH)	4 29/32" X 4 29/32" (124mm x 124mm)
Shipping Weight	.3 lbs (.1kg) each

Associated Products

VP38R Round Replacement Grille (Each) 93122

VP3SQ Square Adapter w/ Grille (Each) 93120

VP3SQ Square Adapter w/ Grille (10 Pack Per Box) 93121

Sonamp 2-100 (Each) 93091

Sonamp 12-50 (Each) 93092



VP3 Round Flex Bracket (10 Pack Per Box) 93119

Fire-Rated Listed Deep Backcan (Each) 92808

**Not compatible with Small Retro Enclosure (92443)*

Sonamp DSP 2-150 (Each) 93093

Sonamp DSP 8-130 (Each) 93094



LIMITED LIFETIME WARRANTY

Sonance warrants to the first end-user purchaser that this Sonance-brand product ("Product"), when purchased from an authorized Sonance Dealer/Distributor, will be free from defective workmanship and materials for the life of the Product, except for the grille, which is warranted for five (5) years. Sonance will at its option and expense either repair the defect or replace the Product with a new or remanufactured Product or a reasonable equivalent. **Please visit our website and owner's e-Manual for complete warranty and exclusion information.**



©2015 Sonance. All rights reserved.

Sonance, Visual Performance and Architectural Series are registered trademarks of Dana Innovations.

Due to continuous product improvement, all features and specifications are subject to change without notice. For the latest Sonance product specification information visit our website: www.sonance.com

SONANCE • 212 Avenida Fabricante • San Clemente, CA 92672-7531 USA
 (949) 492-7777 • FAX: (949) 361-5151 • Technical Support: (949) 492-7777
www.sonance.com